



# SERFILCO®

Europe Ltd

## SERIES E, EO, EH VERTICAL PUMPS IN 316SS

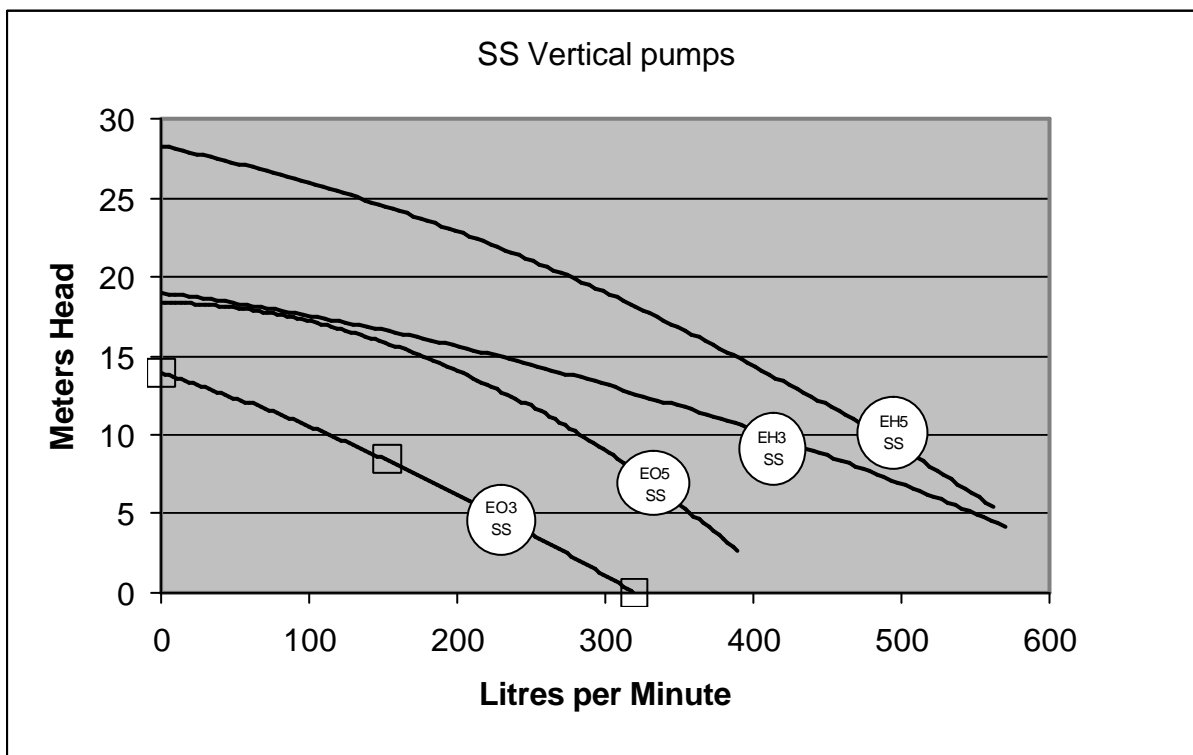
HIGH EFFICIENCY AND LOW ENERGY USAGE  
FOR:

*HOT CORROSIVE CHEMICALS, ARDROX  
FORMULATIONS, CLEANERS, CAUSTICS AND  
PERMANGANATES*



- Flow rates to 500 l/min @ 50Hz or 600l/min @ 60Hz
- Pressures to 3 bar
- Constructed from wrought and cast 316L Stainless Steel
- Shaft vapour seal protects motor bearing and atmosphere
- Run dry continuously with out failure as there are no bearings or seals
- Install In or Out of tank
- 50/60Hz Metric IP55 Cast Iron Motors with oversized front bearings
- Flange connections
- PTFE encapsulated EPDM gaskets

### FLOW CURVES

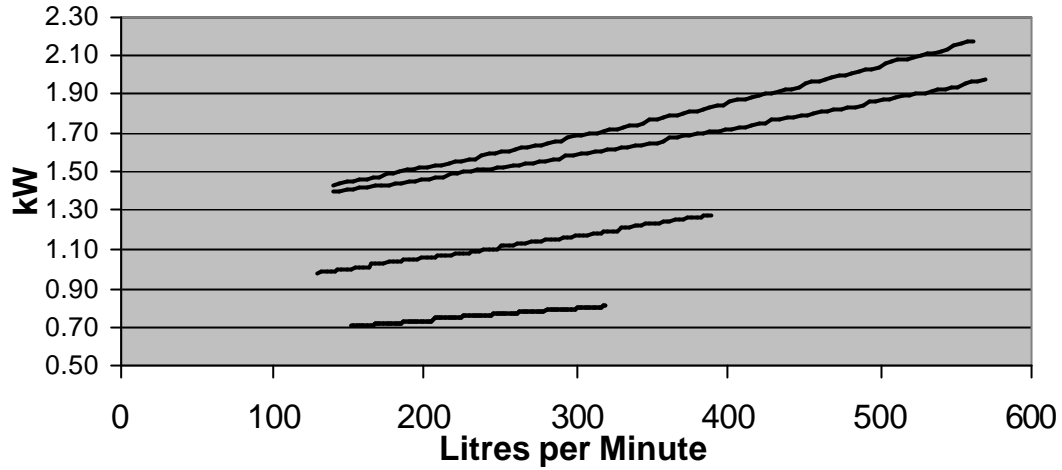




**SERFILCO®**  
Europe Ltd

**SERIES E, EO, EH**  
**VERTICAL PUMPS IN 316SS**

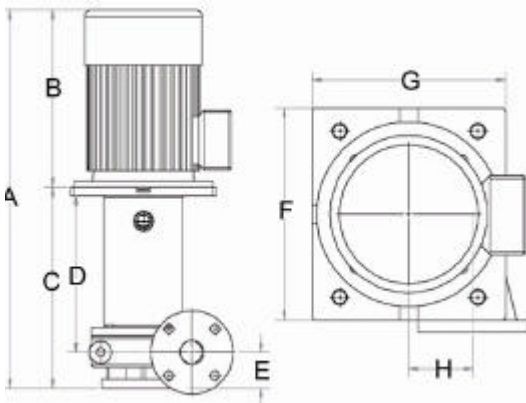
**POWER CURVES**



**ORDERING INFORMATION**

Flow Curve	Model #	kW	Flange in x out	Max Flow	Max Head	Product Code
1	EO3SS-DM1.0	0.75	40mmx40mm	310 l/min	10M	01-8711-03
2	EO5SS-DM2.0	1.5	40mmx40mm	350 l/min	15M	01-8712-03
3	EH3SS-DM3.0	2.2	50mmx50mm	540 l/min	20M	01-8713-03
5	EH5SS-DM4.0	3.0	50mmx50mm	600 l/min	22M	01-8714-03

**DIMENSIONS(mm)**



CODE	A	B	C	D
01-8711-03	525	215	310	247
01-8712-03	540	230	310	247
01-8713-03	642.5	250	392.5	340
01-8714-03	722.5	330	392.5	340

CODE	E	F	G	H
01-8711-03	47.5	230	210	135
01-8712-03	47.5	230	210	135
01-8713-03	60	260	260	133
01-8714-03	60	260	260	133



**SERFILCO®**  
Europe Ltd

BROADOAK INDUSTRIAL PARK  
ASHBURTON ROAD WEST, TRAFFORD PARK  
MANCHESTER M17 1RW ENGLAND  
TEL:- +44 (0) 161 872 1317  
Fax:- +44 (0) 161 873 8027  
Email:- sales @serfilco-europe.com

[www.serfilco.eu](http://www.serfilco.eu)